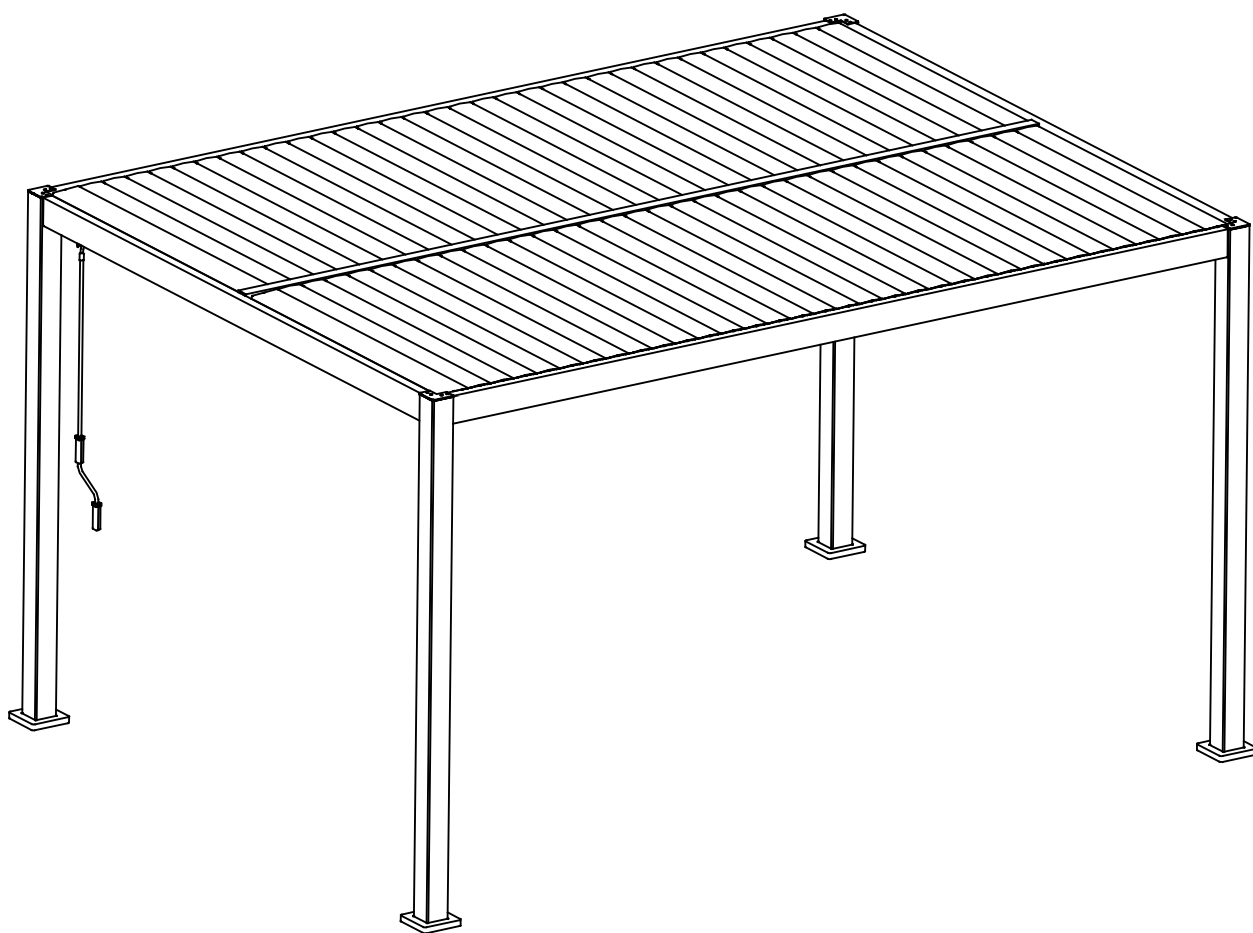
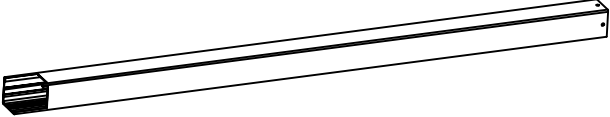



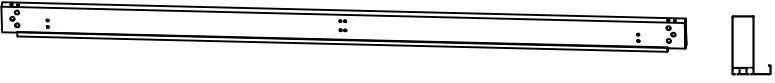
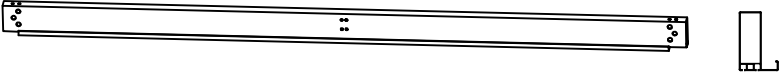



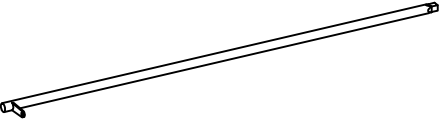
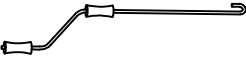





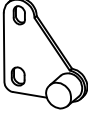
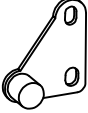



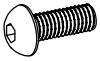
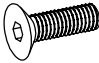
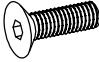

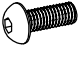

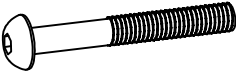


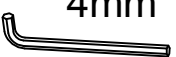
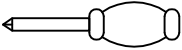
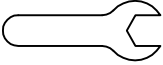
# NOTICE DE MONTAGE

NFC 00851G  
292 x 391 x 240

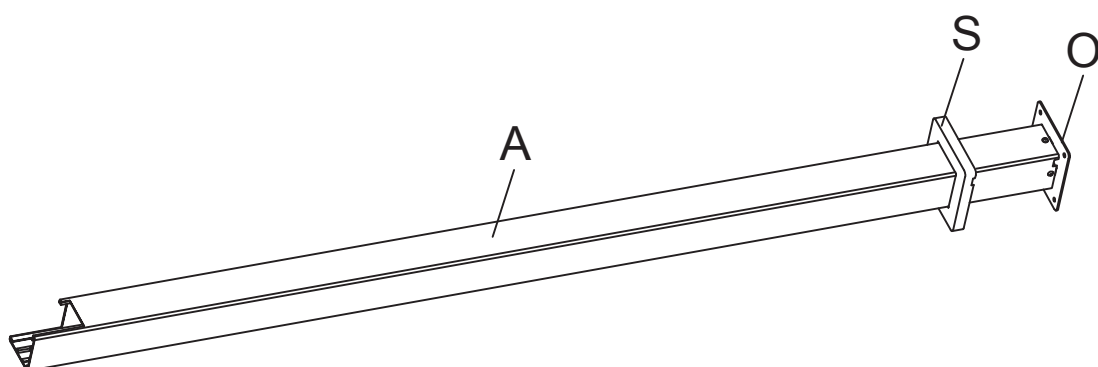
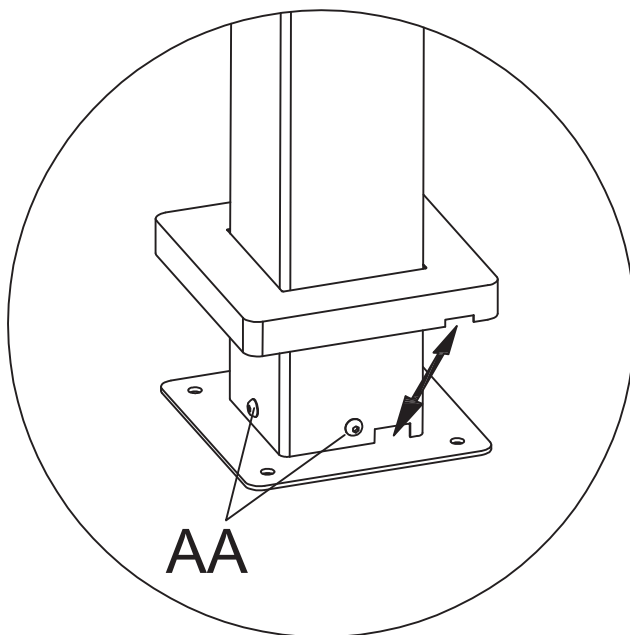






PART NO	DESCRIPTION	QTY	PART NAME
A		4	
B		1	
C		1	
D		1	
E		1	
F		1	
G		2	
H		66	
I-1		2	
I-2		2	
J		1	
K		4	
L		2	

PART NO	DESCRIPTION	QTY	PART NAME
M		2	
N		2	
O		4	
Q		2	
R		2	
S		4	

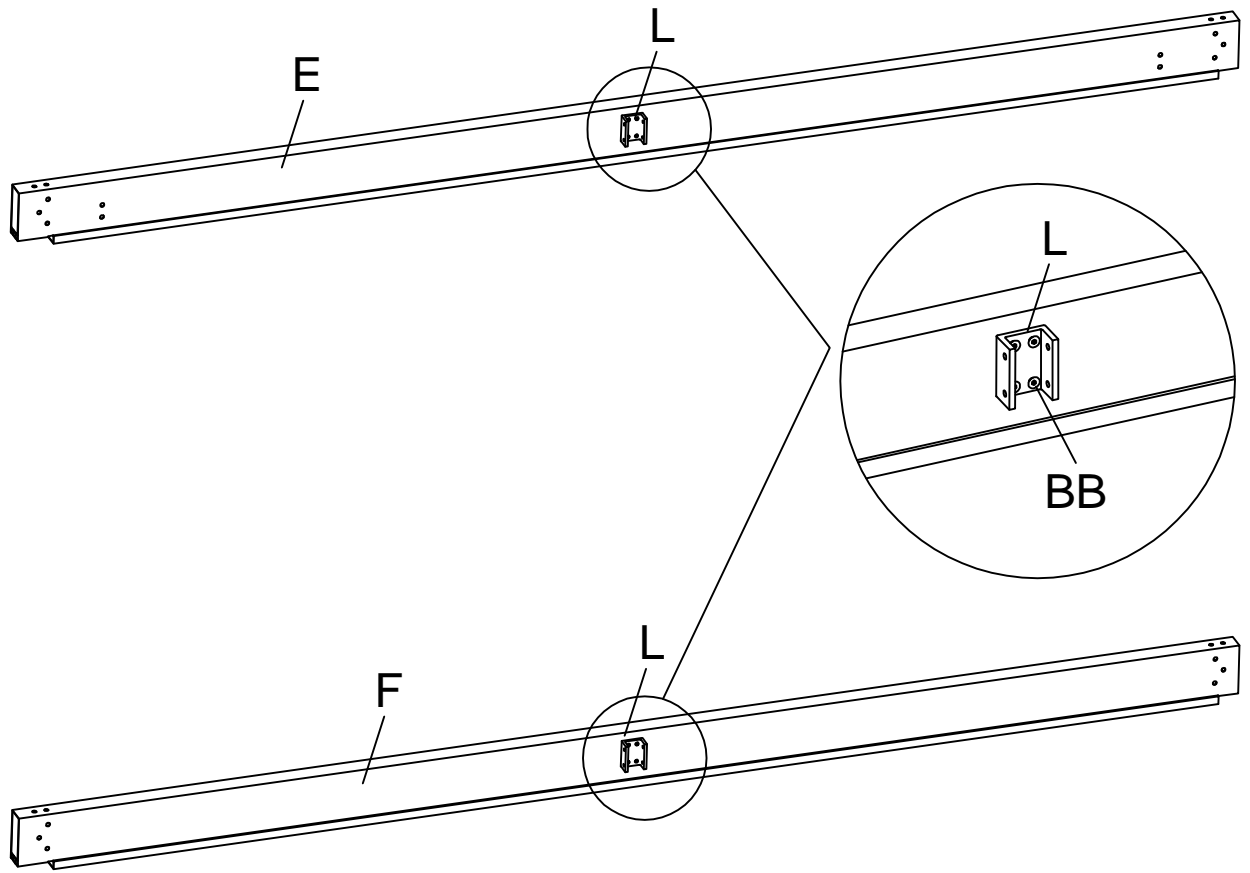
PART NO	DESCRIPTION	QTY	PART NAME
AA	 M6*18	44	
BB	 M6*15	16	
CC	 M6*13	4	
DD	 M4*12	4	
EE	 M5*12	12	
FF	 M6	8	
GG	 M6*40	4	
HH	 5mm  4mm  4mm	3	
II		1	
JJ	 10mm	1	

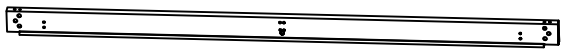
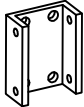
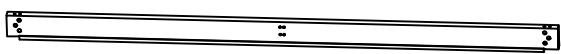
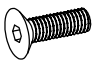
1



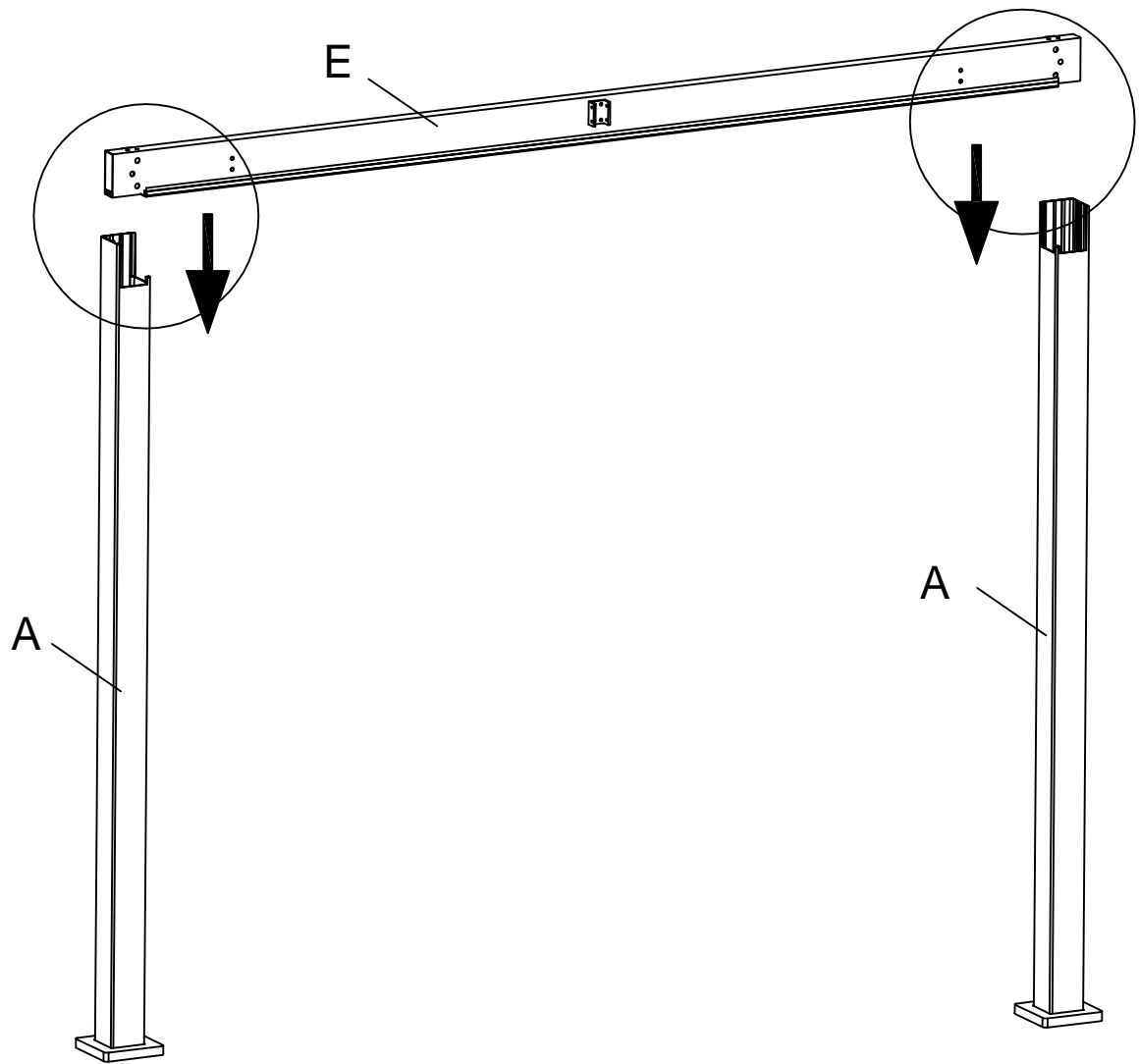
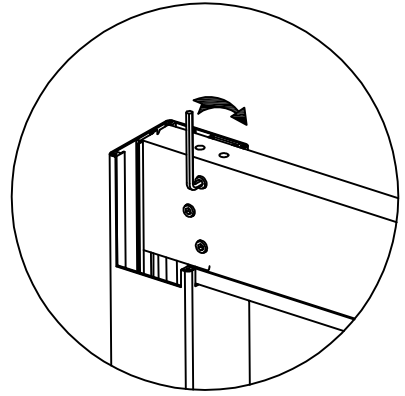
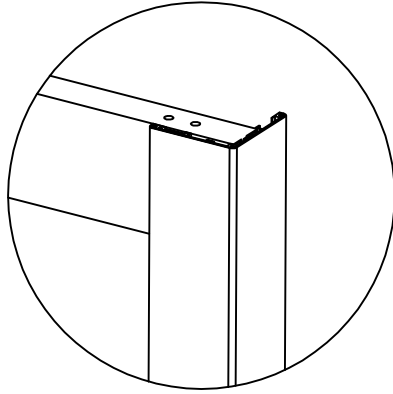
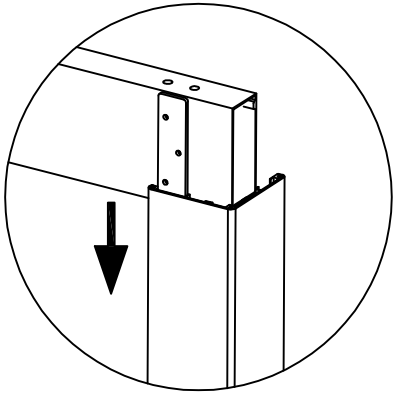
A	4		S	4	
O	4		AA	16	 M6*18

2

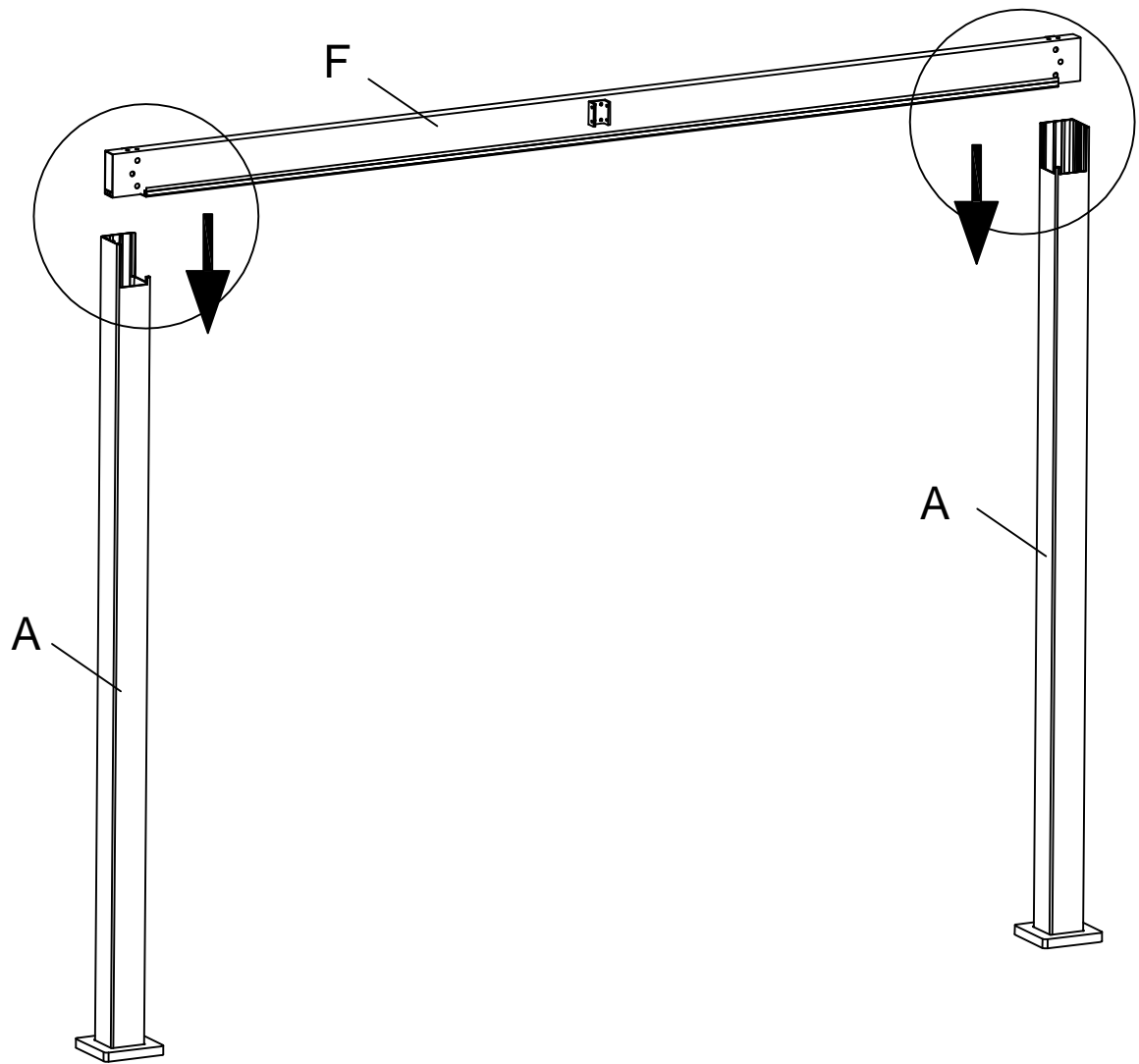
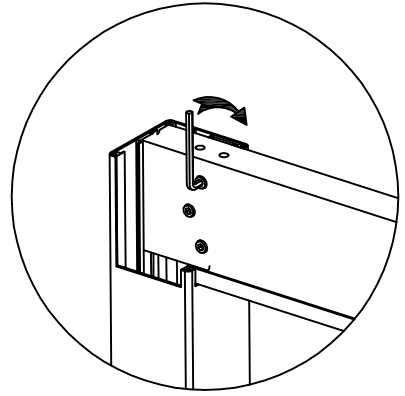
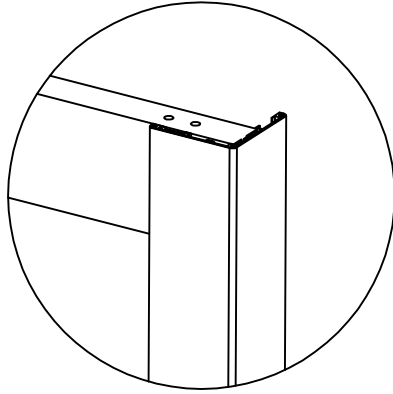
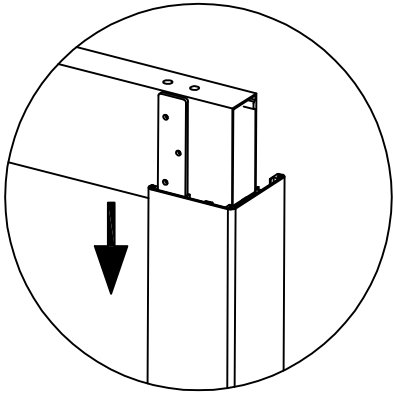


E	1		L	2	
F	1		BB	8	 M6*15

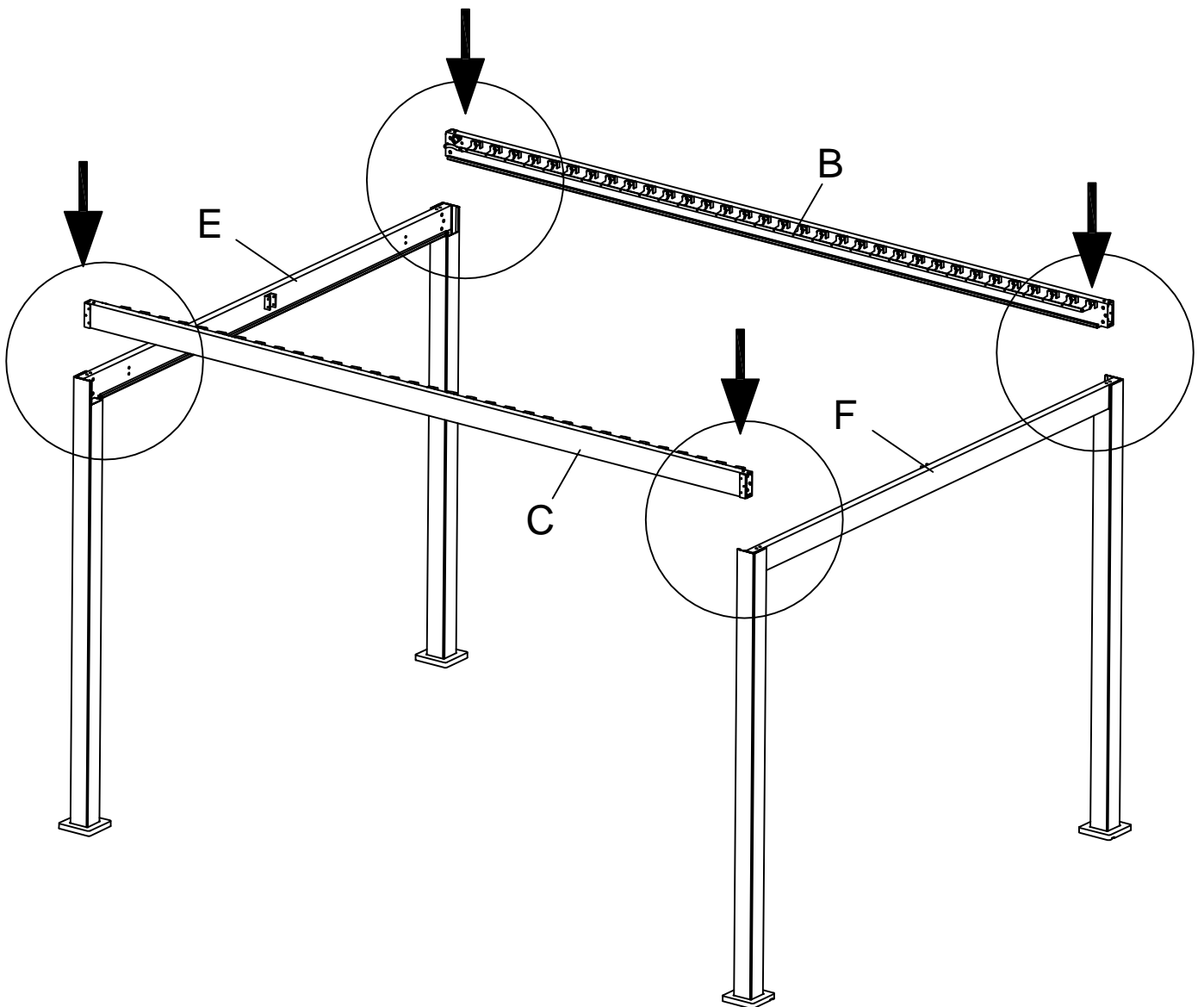
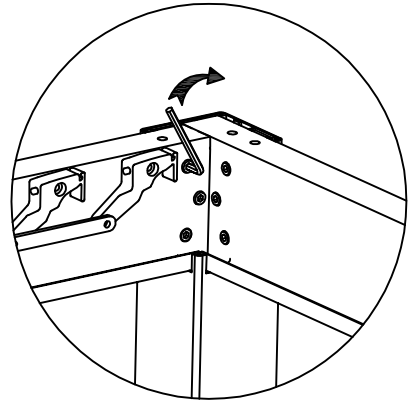
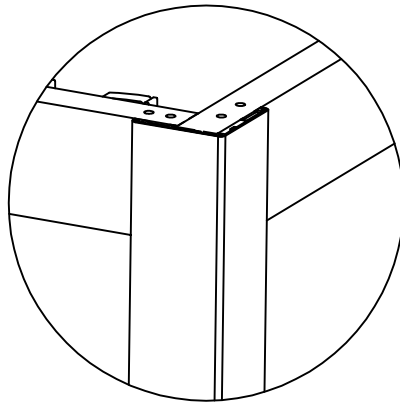
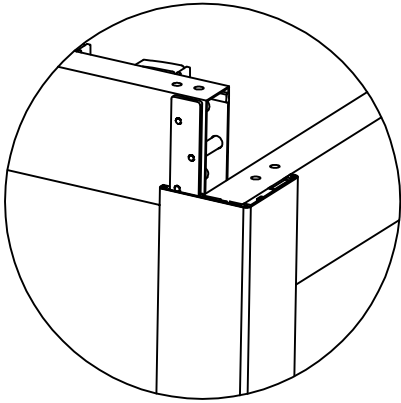
3



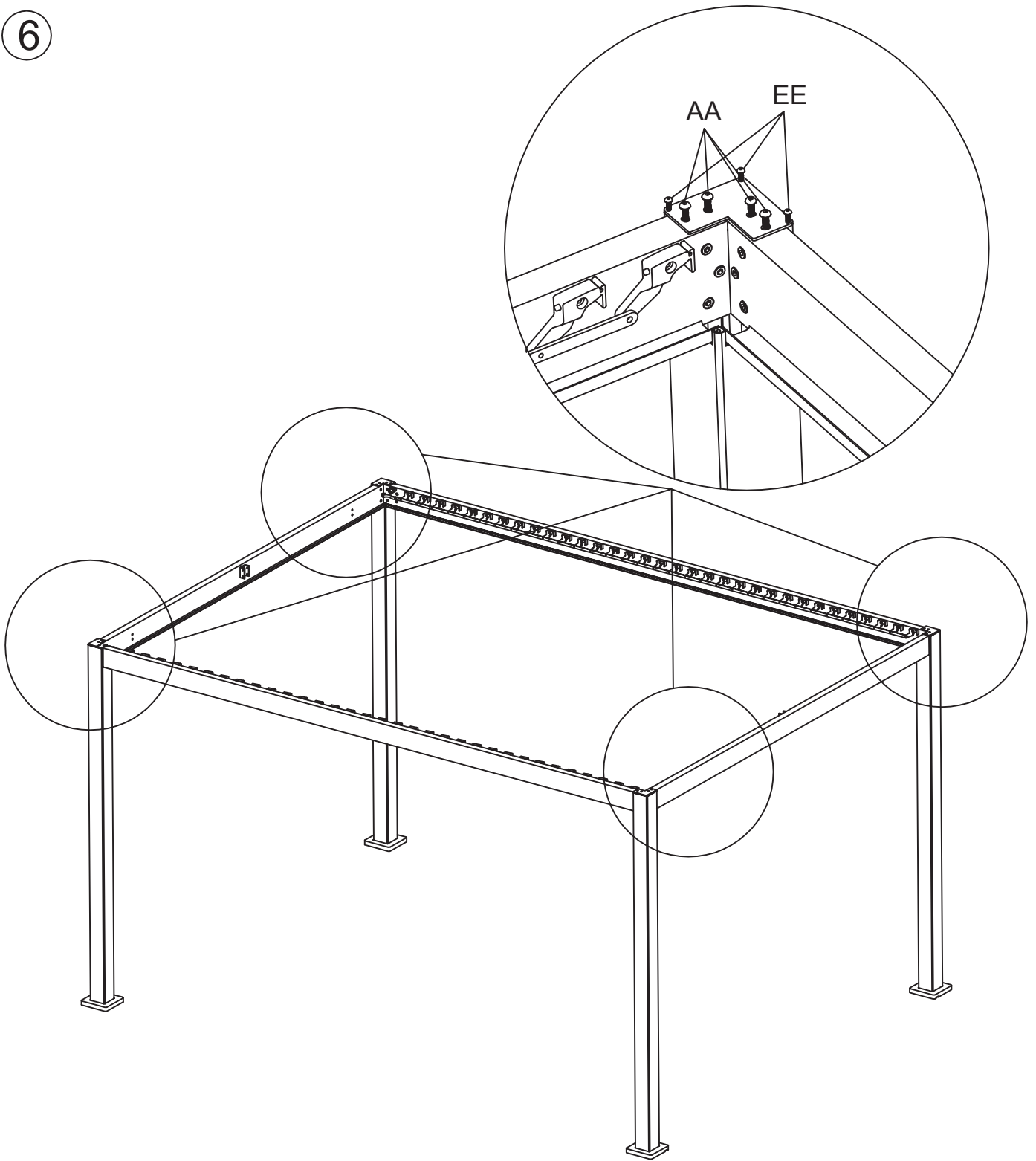
4






5

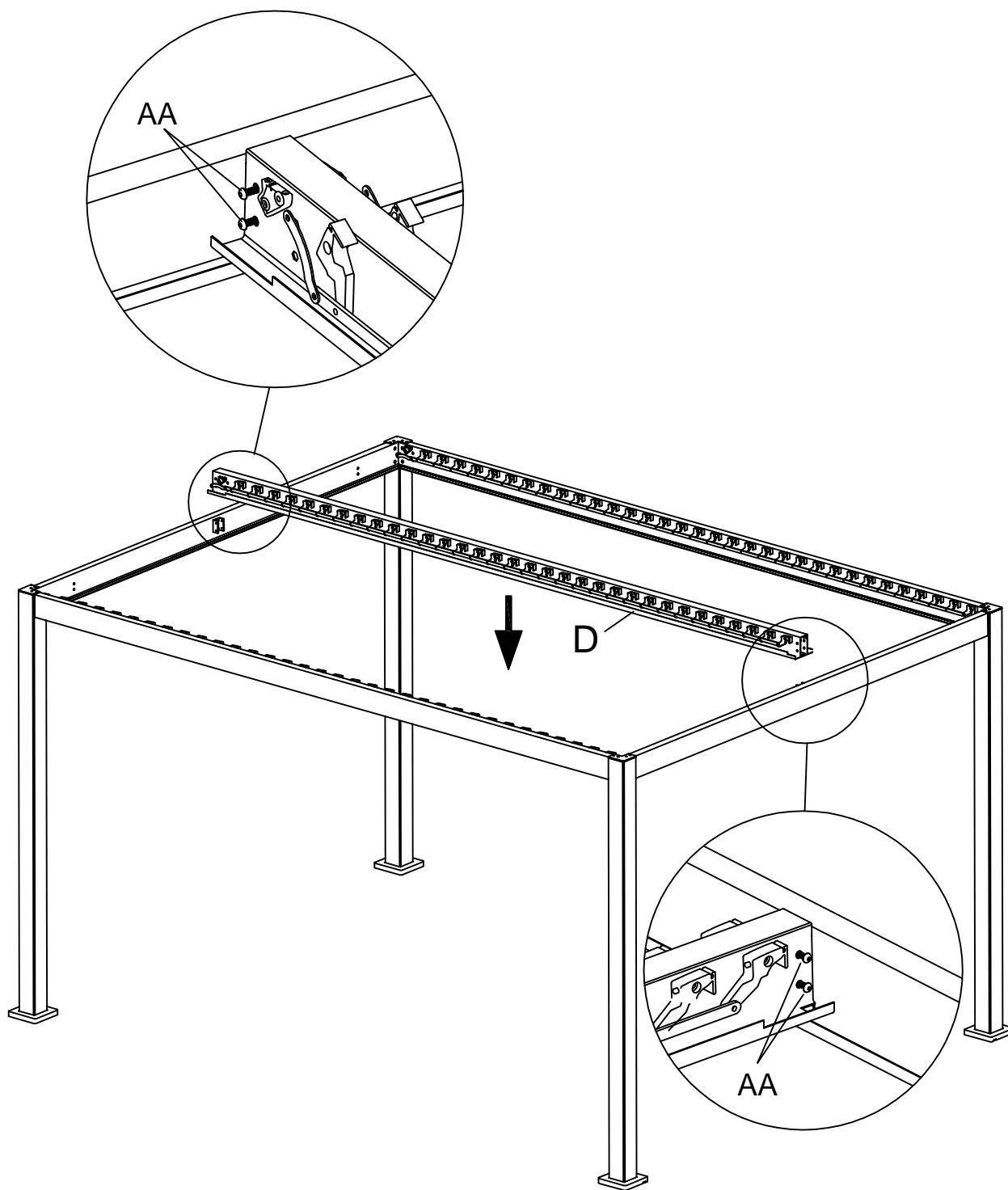


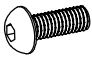
6



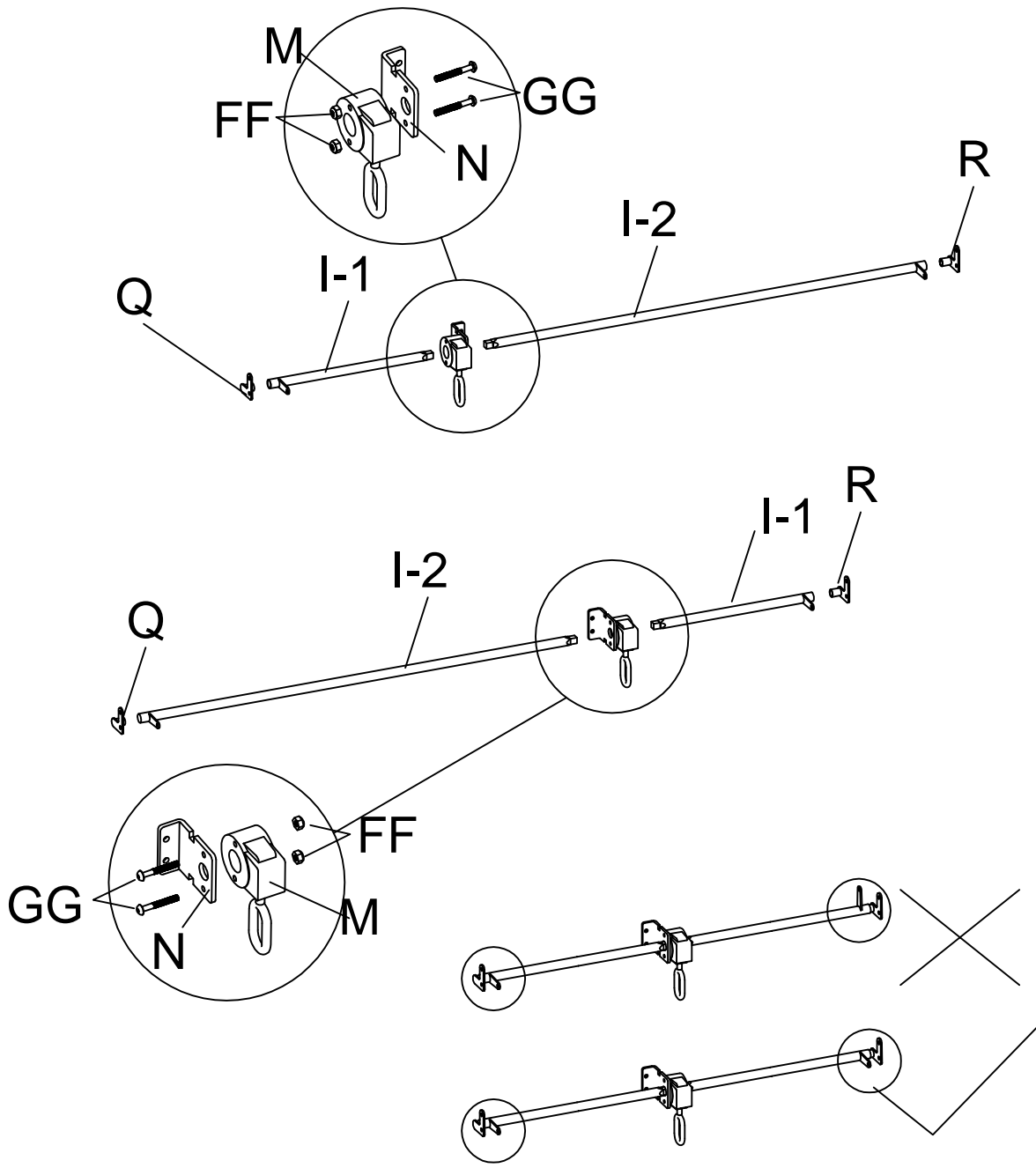
K	4		AA	16	 M6*18
EE	12	 M5*12			



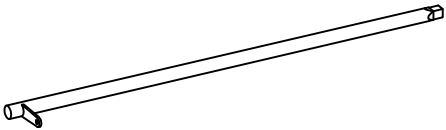

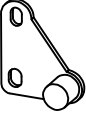



7

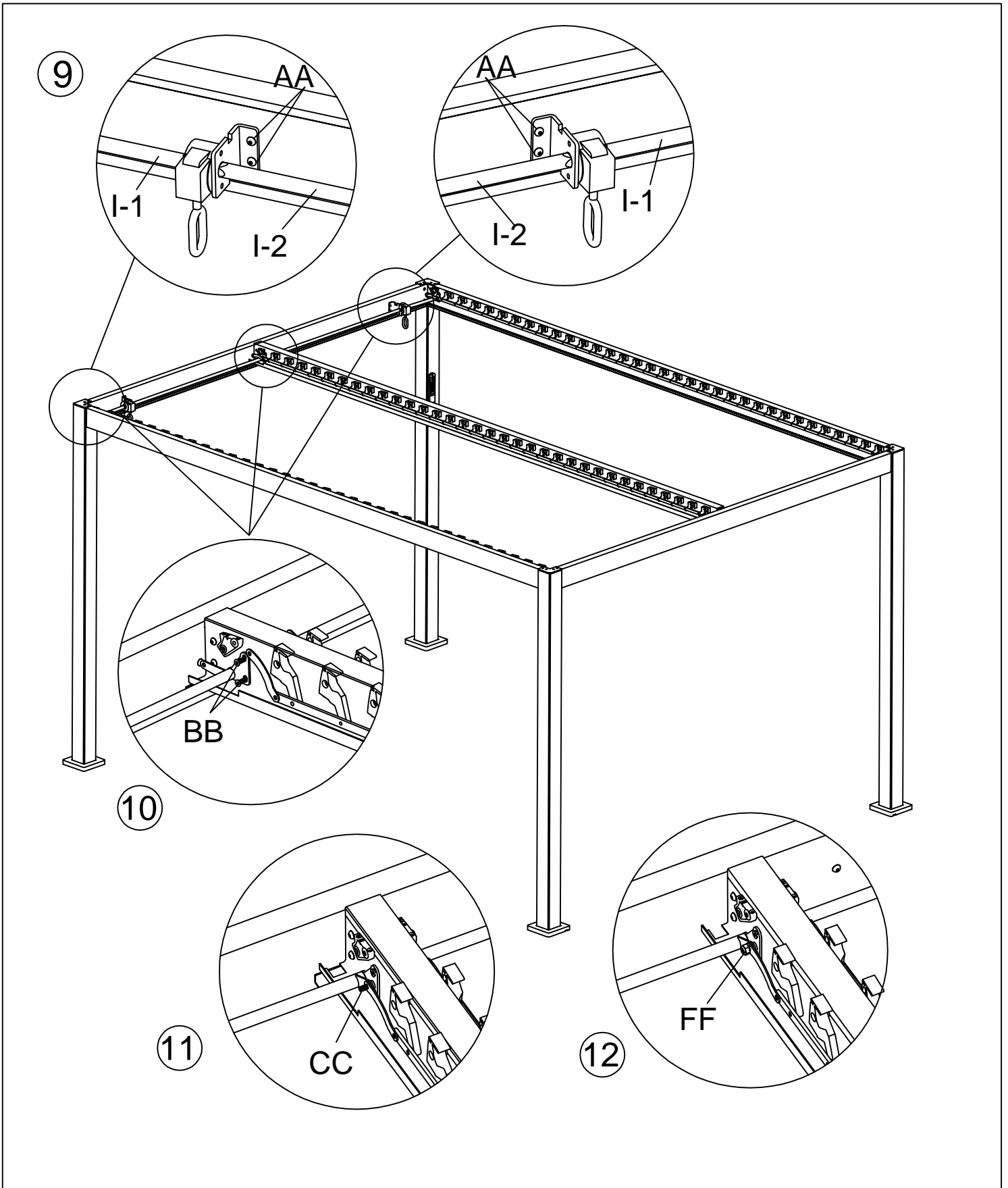


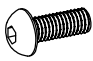
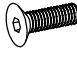
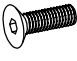

AA	8	 M6*18
----	---	---

8

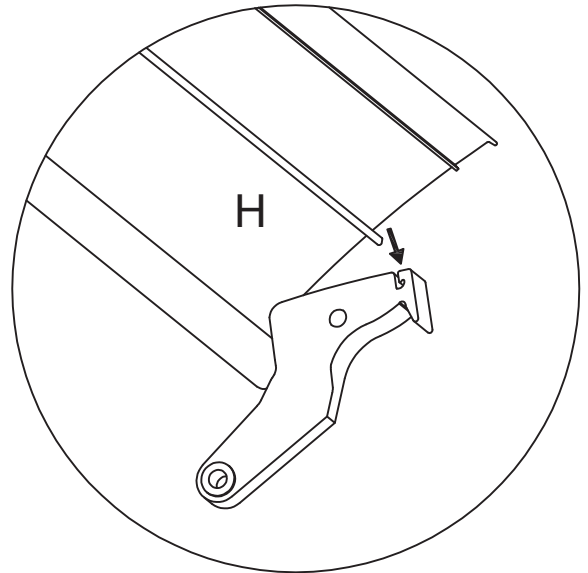
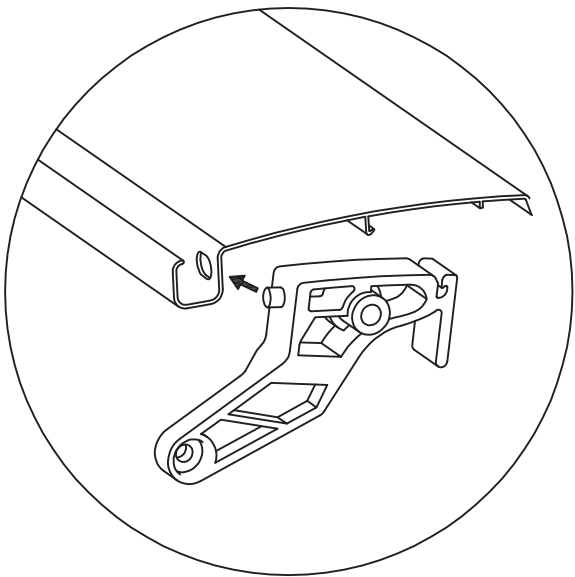
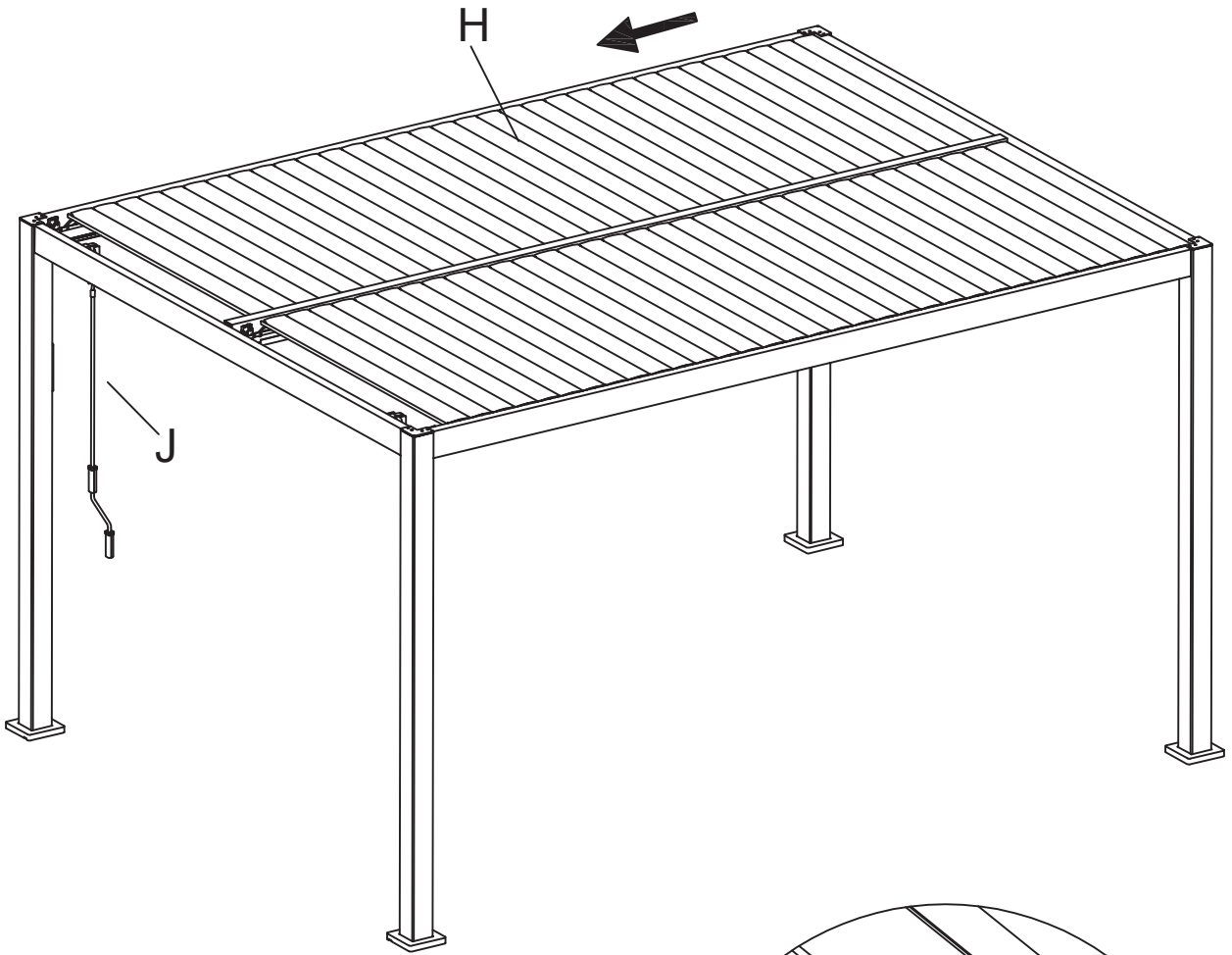




I-1	2		M	2	
I-2	2		N	2	
Q	2		FF	4	 M6
R	2		GG	4	 M6*40



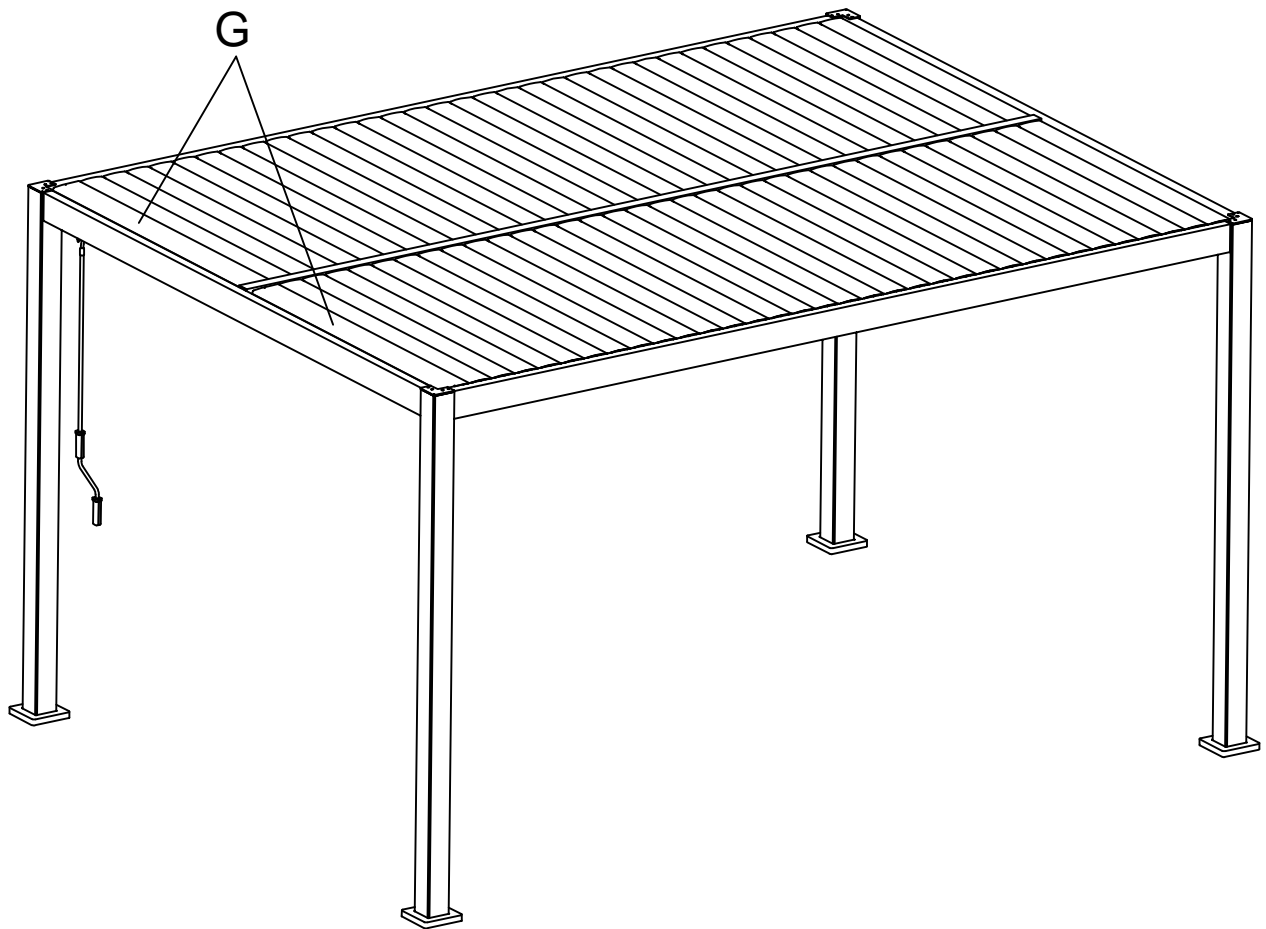
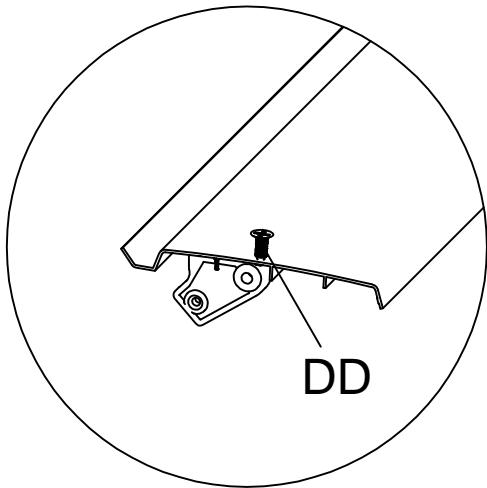
AA	4	 M6*18	BB	8	 M6*15
CC	4	 M6*13	FF	4	 M6

13



H	66		J	1	
---	----	---	---	---	---

14



G	2		DD	4	 M4*12
---	---	---	----	---	---