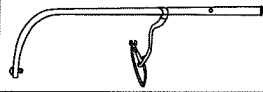
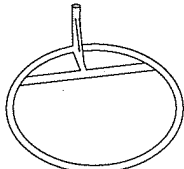


ASSEMBLY INSTRUCTION


Package 1

A		1
---	---	---


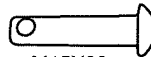
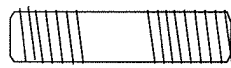

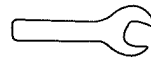
Package 2

B		1
---	---	---

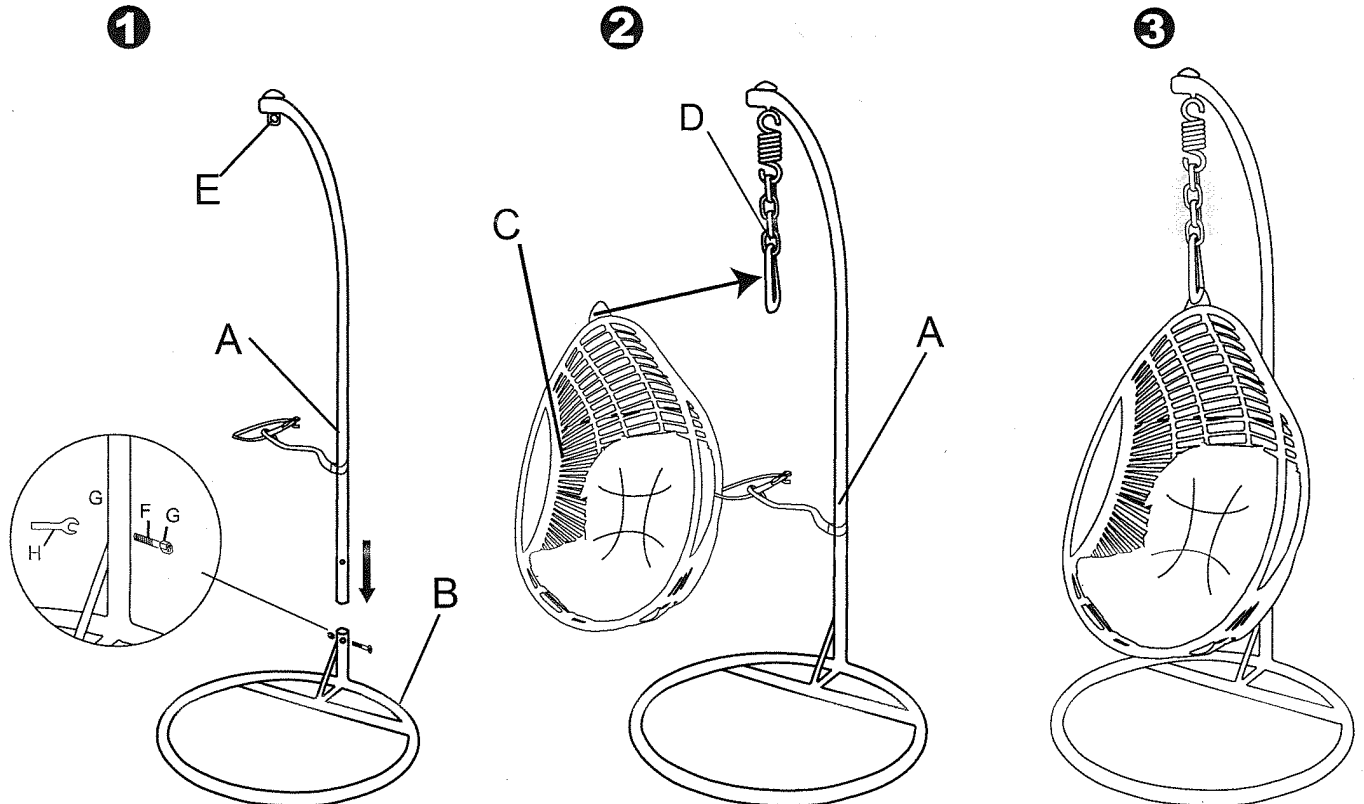
Package 3

C		1
---	---	---

Package 4

D		1
E	 M15X80mm	1
F		1
G		2
H		1

Important: do not fully tighten screws (leave loose) until all screws have been inserted into fixing nuts.



HAZARD:

The hanging chairs can tip over, posing a fall hazard to consumers.

Children under the age of thirteen should (must) use it under the guidance of adults.

Always use the safety belt.